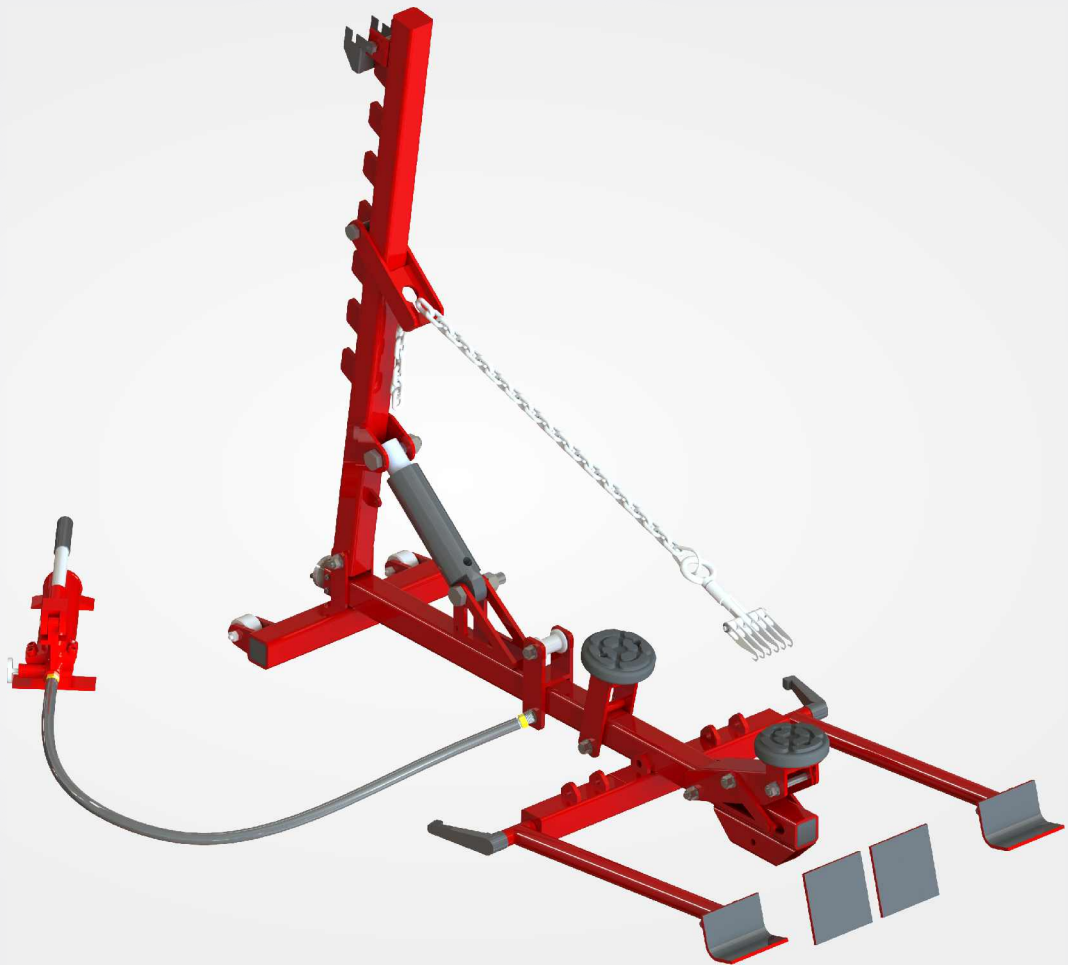


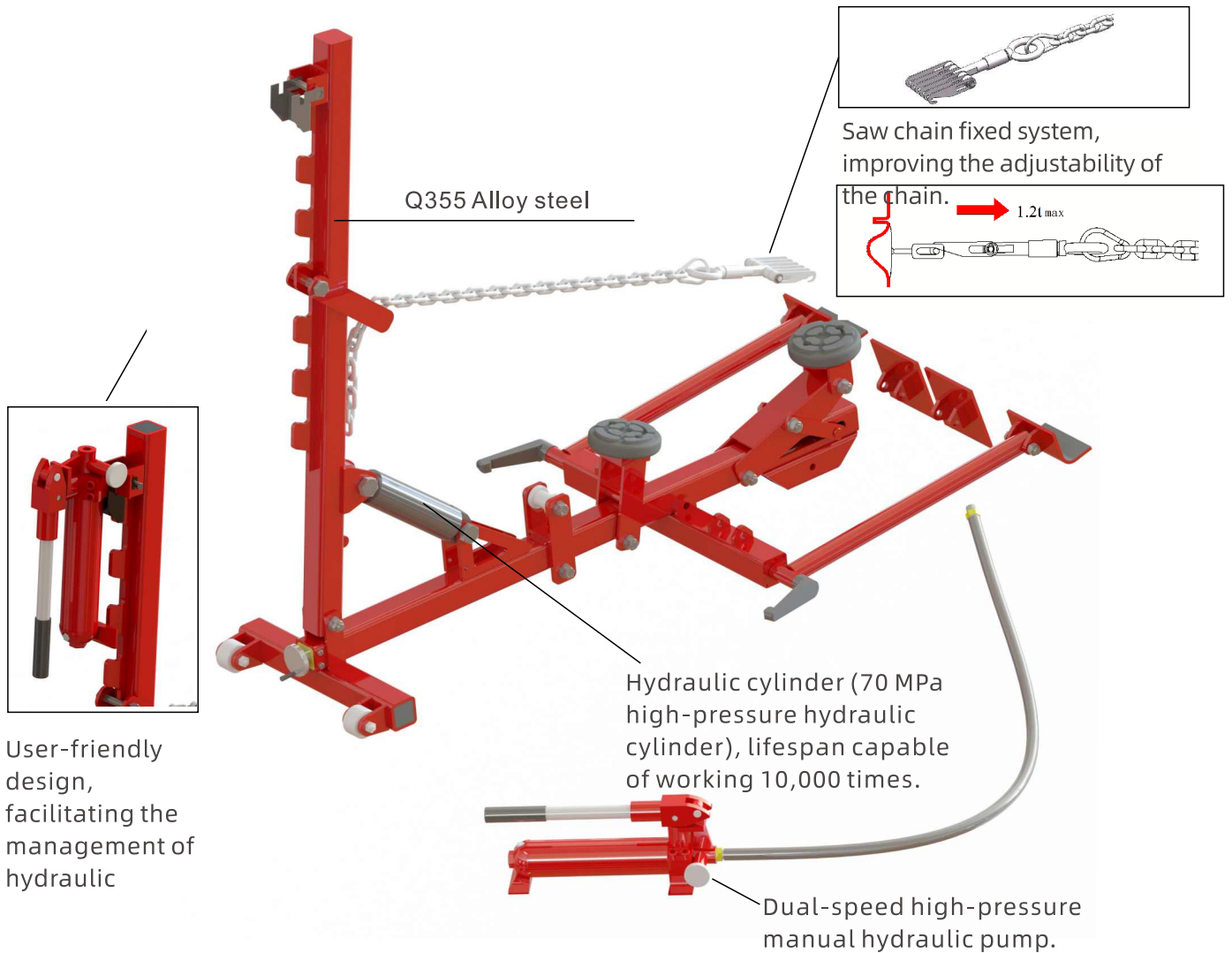
DOOCAR  **杜卡®**



FAST-D3 Quick Auto Cosmetic Straightener

我的工作好伙伴
My reliable partner
мой рабочий партнёр

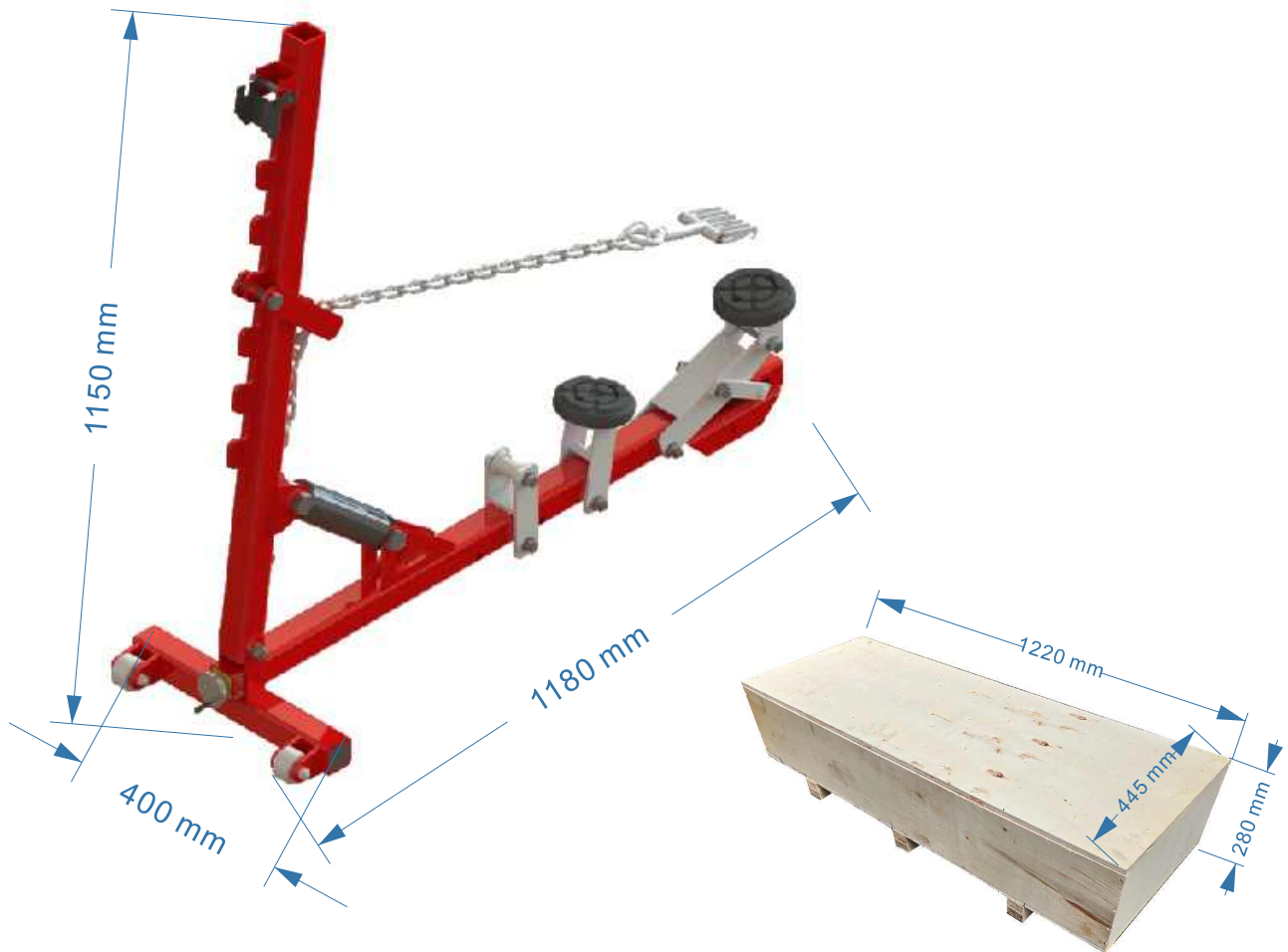
FAST-D3 Quick Auto Cosmetic Straightener



Typical Features

- 1.Auto cosmetic straightener for small to medium collision repair
- 2.It can be used to repair the depression of automobile lower side beam, sheet metal parts with ribbed plate waist line and other parts.
- 3.Dents can be repaired at different heights of body panels
- 4.The 3-ton oil cylinder is adopted, with strong hydraulic power, and the repair of reinforcement line is easy and fast.
- 5.Replace the traditional slide hammer and use it more efficiently
- 6.Multi angle stretching repair, multi-directional stretching repair can be carried out through pulley
- 7.Take the vehicle body as the fulcrum and fix it quickly for tensile repair
- 8.Powder coated surface adapted to prevent rusting of components, with good wear resistance and adhesion.

FAST-D3 Quick Auto Cosmetic Straightener



FAST-D3 Specification

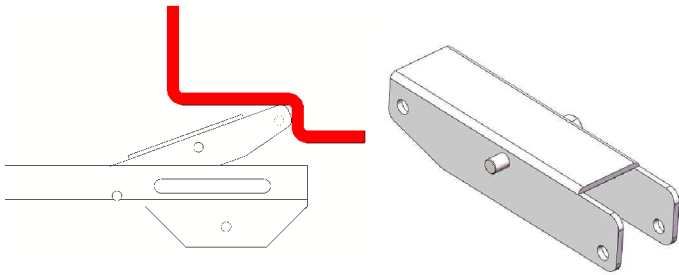
Length	1180mm
Width	400mm
Height	1150mm
Net Weight	48kg
Gross Weight	61kg
Hydraulic Pressure	70Mpa
Pulling Capacity	5T

Basic Configuration

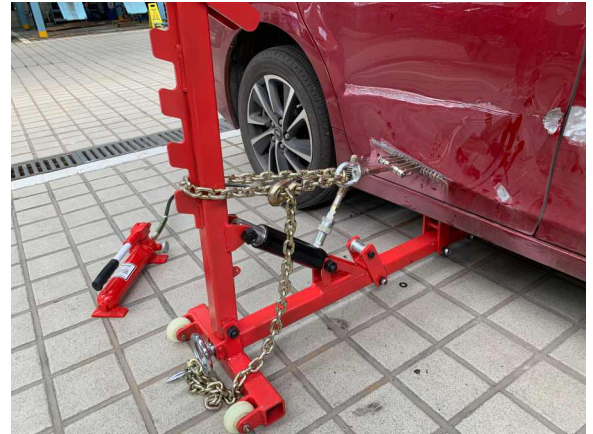
Pulling tower	1 set
Chain with Grab	1 set
8# Chain	1 set
6 claw pulling hook	1 piece
Rocker Pannel Arm	1 piece
Hook Connector	1 piece
Hand Pump	1 piece
5T Cylinder	1 piece

FAST-D3 Quick Auto Cosmetic Straightener

Wedge for rocker panel



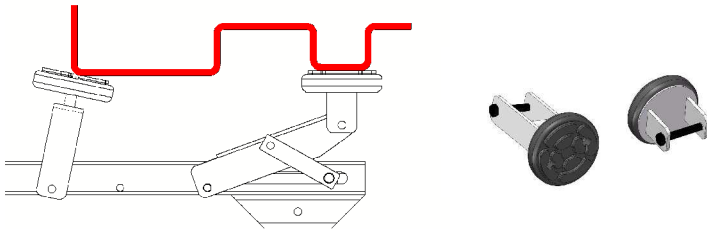
Laser-cut and bent Q355B high-strength alloy steel support arm



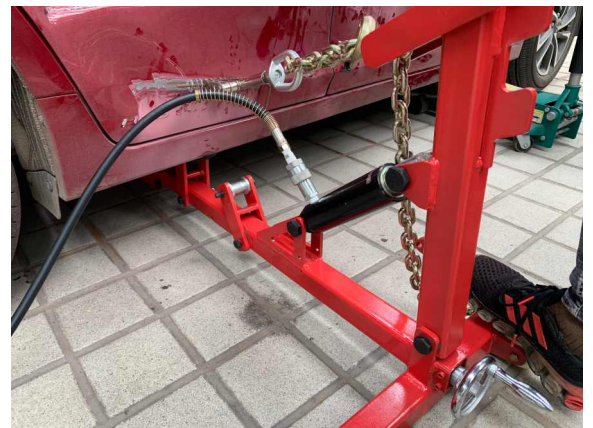
Small volume, light weight, can be

Simple in design, particularly practical for small-scale exterior repairs

Pads kit for rocker panel

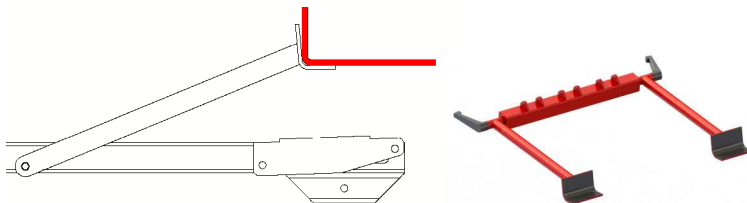


Quick chassis fixing rubber pad

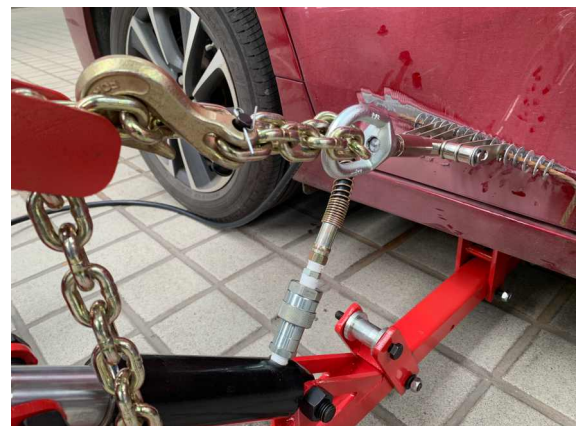


Convenient, efficient, micro-repair system, suitable for body panel maintenance

Rocker panel arms for draw aligner

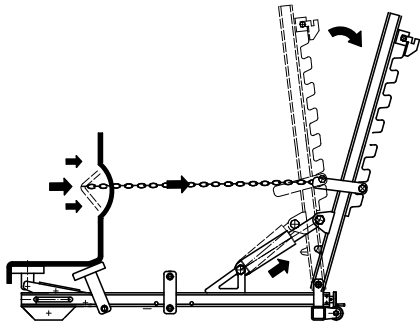


Multi-position automotive body stretching support device (including rubber support block)

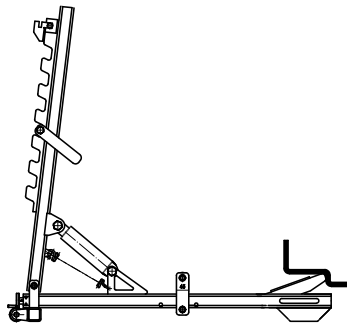
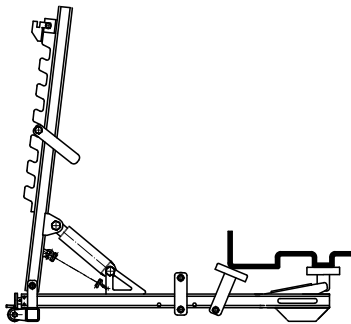
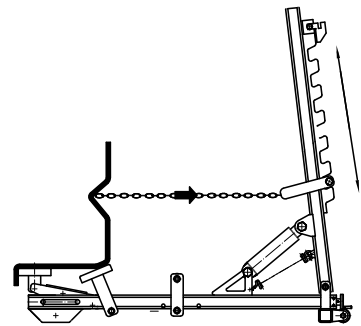
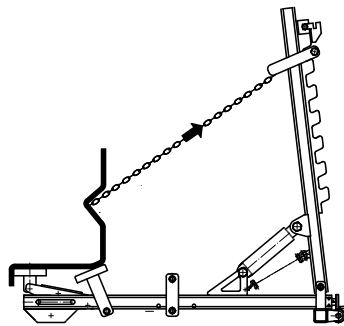
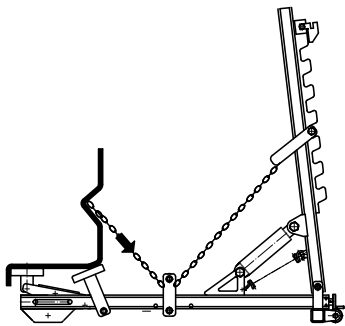


Support frame and lifting support frame can assist in shaping repaired components, facilitating maintenance

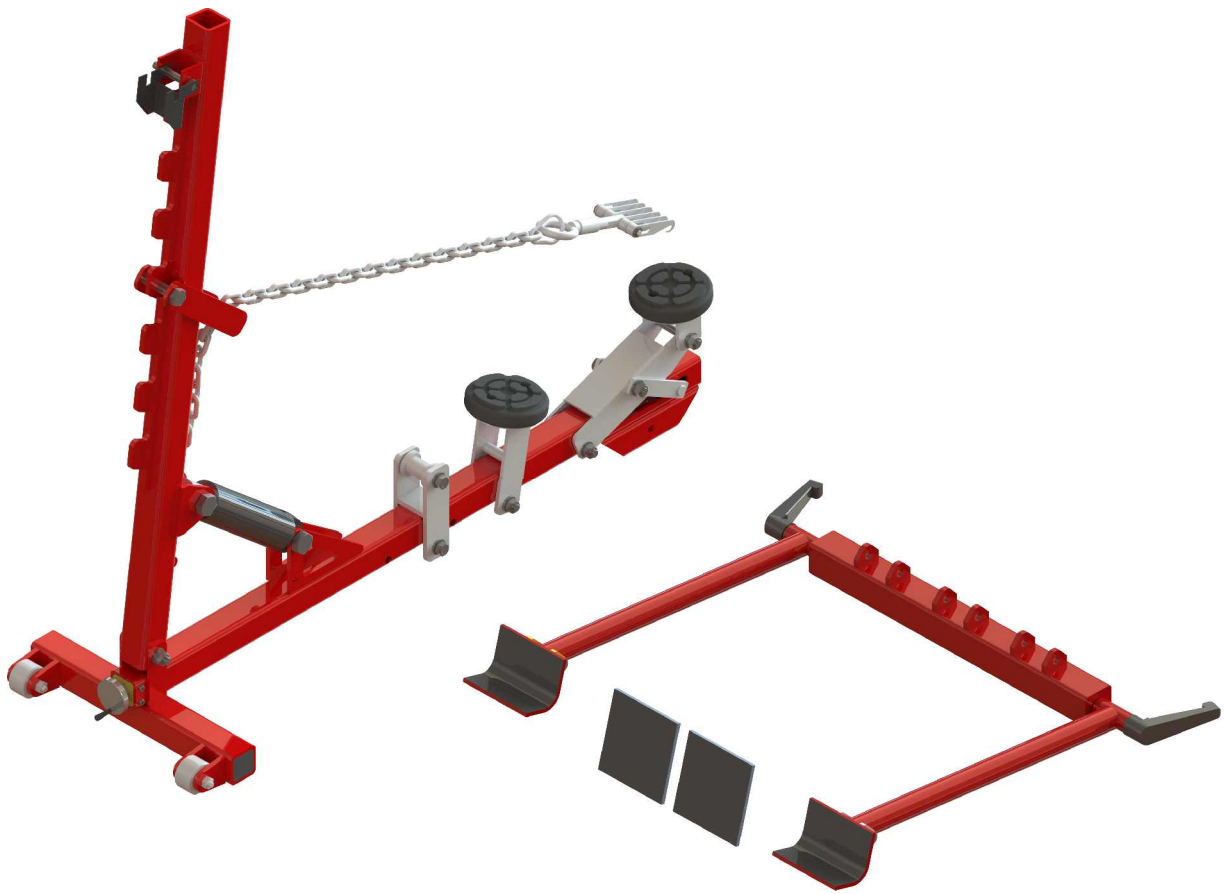
FAST-D3 Quick Auto Cosmetic Straightener



FAST-D3 Operation Demonstration



Long stretching stroke, wide repair area,
can stretch downwards without being restricted by air source



Docar Auto Engineering (shanghai) Co.,Ltd

Room 2018 North Building, No.5588 Caoan road,

Anting Town, Jiading District, Shanghai City

TEL:+86 18863316058

www.docarliner.com

Email:info@docarliner.com

DOOCAR  **杜卡**[®]